
Southern Oregon University
Hannon Library - Membrane Roof Replacement
ITB 2025-22
March 28, 2025

Addendum #1

This Addendum together with ITB 2025-22 (including 2 attachments) form the Contract Documents. The following clarifications, changes, additions and deletions hereby become part of the Contract Documents. The original solicitation documents remain in full effect unless specifically modified by this Addendum.

1. Add Fall Protection Anchors

Furnish and install four (4) Guardian Model 690 S-Anchors. Coordinate locations with SOU on site. Each anchor attached with eight (8) 1/2" diameter x 2-1/2" long Simpson Titen HD concrete screws.

2. Clarification: Drawing (Attachment A)

See attached drawing 1/A807 showing parapet construction details. Detail drawing is from the 2003 building addition and renovation - construction drawings.

3. Clarification: Parapet Photographs (Attachment B)

Parapet coping joints (10'-0" on center, typical) have metal backing strips and pre-finished cover strips with stainless steel rivets and caulking at each joint. There is a double layer of 3/4" PT plywood under the metal cap. The existing single ply membrane extends over the outside edge of the parapet cap. It should be possible to remove and replace long sections of cap metal without opening up each riveted joint.

4. Clarification: Seismic Joint

At Contractor's option, the existing seismic joint metal cap flashings can be removed and reused after new membrane installation. A custom fabricated, heat-welded PVC expansion joint cover by the roofing contractor is also acceptable. The seismic joint covering must meet all requirements for the manufacturer's 20-year system warranty.

5. Clarification: Asbestos Testing

SOU will procure and pay for any asbestos tests required for demo materials to be disposed of at the landfill.

6. Clarification: Roof Core Photos (Attachment C)

Photos of roofing core samples taken on March 11, 2025 are attached. Bidders are invited to schedule a time to re-visit the site and perform additional roof cores.

7. Mandatory Pre-Bid Sign in Sheet (Attachment D)

Enclosures:

Attachment A: Parapet Wall Section Drawing 1/A807

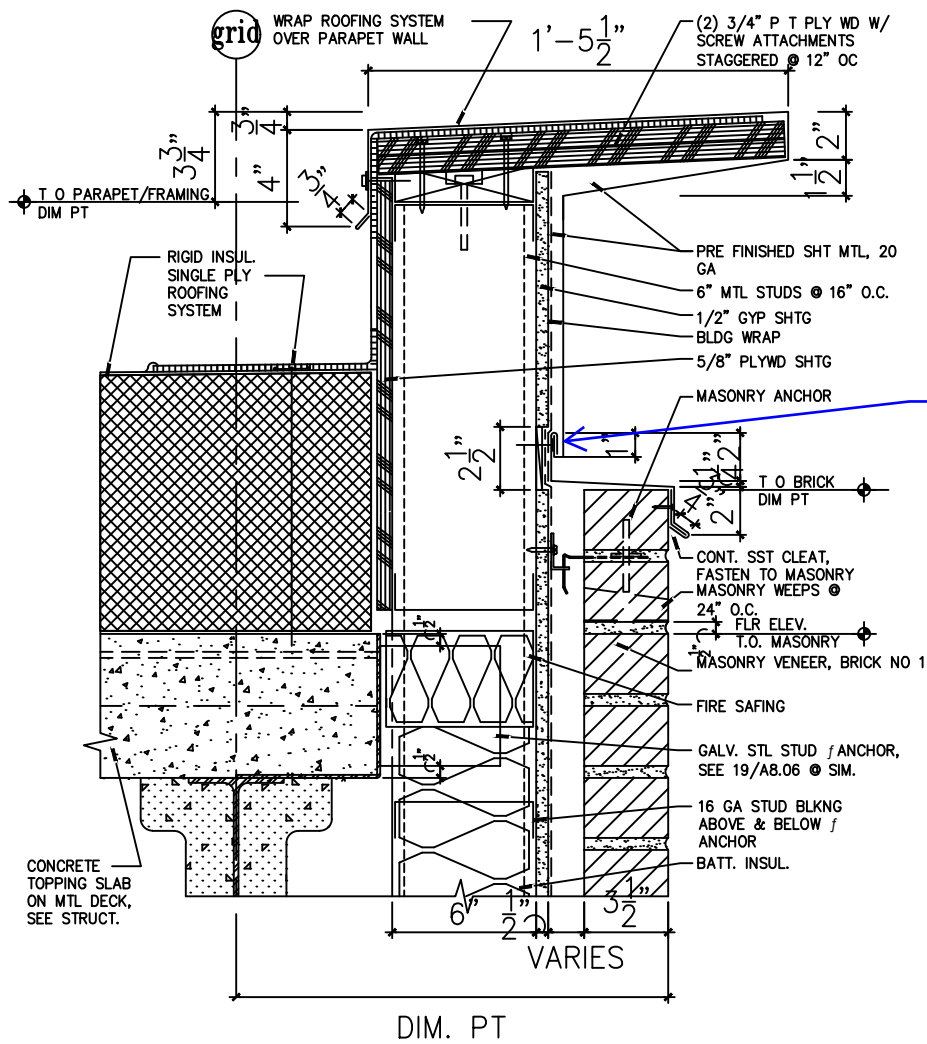
Attachment B: Parapet Coping Photos

Attachment C: Roof Core Photos

Attachment D: Pre-Bid Sign-in Sheet

End of Addendum #1

Attachment A to Addendum #1 (ITB2025-22)



1 EXTERIOR WALL @ PARAPET
 AB.07 SCALE: 1-1/2" = 1'-0"

Attachment B to Addendum #1 (ITB2025-22)



Typical Parapet Coping – New Roof



Joint Cover – New Roof



Joint Cover Sealant – New Roof



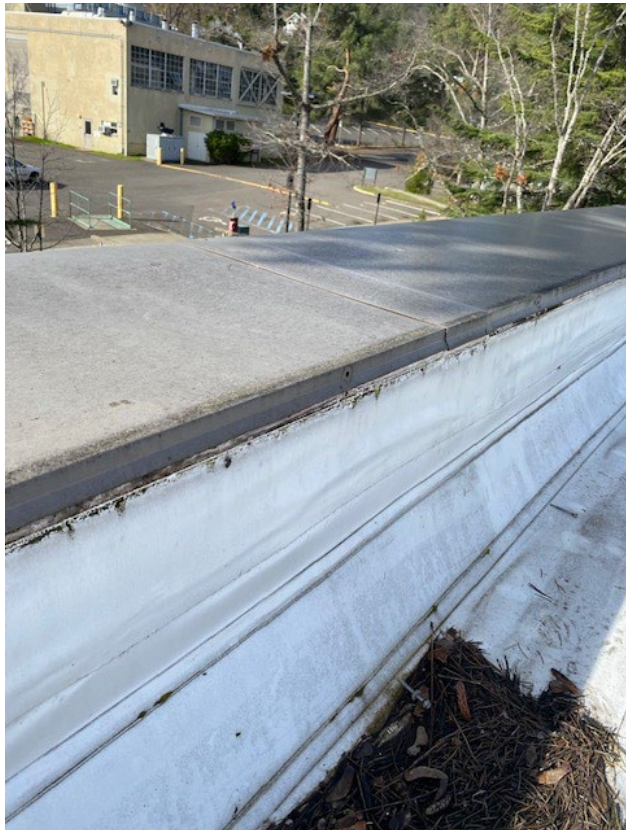
Backing Plate Riveted – New Roof



Drilling Backing Plate Rivets – New Roof



Underside of Coping – New Roof



Typical Joint– Old Roof



Underside of Coping – Old Roof

Attachment C to Addendum #1 (ITB2025-22)



New Roof – Main Section
DuroLast over 3" insulation over concrete



New Roof – North Study Room "Bump out"
DuroLast over 3" insulation over 5/8" gyp over metal deck



Old Roof – Main Section
DuroLast over old membrane over crumbly fill over concrete

Southern Oregon University (ITB2025-22)
Hannon Library - Membrane Roof Replacement
Mandatory Pre-Bid Meeting Sign-In
March 24, 2025 – 11:00 AM

COMPANY	CONTACT PERSON	MAILING ADDRESS	TELEPHONE	EMAIL
Duro-Last	Greg Monroe	689 Rockwood Ln Eagle Point OR 97524	Ph 541-864-0066	GCMonroe@outlook.com
Pressure Point Roofing	Darron Scott		Ph 541-787-9004	DarronS@PressurepointRoofing.com
Rogue Valley Roofing	Robert Rivero	P.O. Box 1480 Medford OR 97501	Ph 541-864-9503 541-776-6620	roguevalleyroofing@gmail.com
Umpqua Roofing	Sam Garrison	PO Box 22424 Eugene 97402	Ph 541 541 302 6850	Sam@umpquarroofing.com
PACIFIC FEDERAL	Andy Mason	220 Young Rd Kelso, WA 98632	Ph 503 358 6809	andy@pacificfederalconstruction.biz
Henris Roofing & Supply of Oregon Inc.	MARTIN Rodriguez	410 Adams St. Klamath Falls, OR 97601	Ph 503 545 4864	Martin@Henrisroofinginc.com
OUTLIER CONSTRUCTION	Ryan DeMello	2870 Hansen Drive Medford, OR 97504	Ph 541 816 0639	ryand@outlierbuilt.com
			Ph	
			Ph	
			Ph	
			Ph	